



SCIGATE AUTOMATION (S) PTE LTD

No.1 Bukit Batok Street 22 #01-01 Singapore 659592

Tel: (65) 6561 0488

Fax: (65) 6562 0588

Email: sales@scigate.com.sg

Web: www.scigate.com.sg

Business Hours: Monday - Friday 8.30am - 6.15pm

Device/PLC Connection Manuals



About the Device/PLC Connection Manuals

Prior to reading these manuals and setting up your device, be sure to read the "Important: Prior to reading the Device/PLC Connection manual" information. Also, be sure to download the "Preface for Trademark Rights, List of Units Supported, How to Read Manuals and Documentation Conventions" PDF file. Furthermore, be sure to keep all manual-related data in a safe, easy-to-find location.

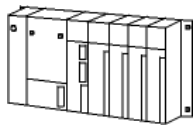


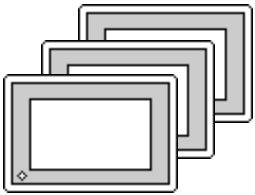
5.1 Mitsubishi Electric

5.1.1 System Structure

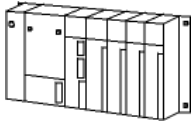


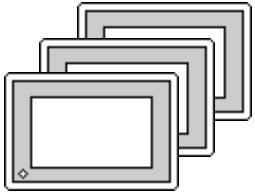
The following describes the system structure for connecting the GP to Mitsubishi Electric PLCs.

Reference The Cable Diagrams mentioned in the following tables are listed in the section titled "5.1.2 Cable Diagrams".


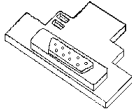

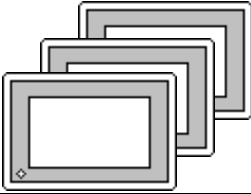
■ MELSEC-A Series (using Link I/F)

CPU	Link I/F	Cable Diagram	GP
	Computer Link Unit 		
A2A A3A A4U	AJ71C24-S6 AJ71C24-S8 AJ71UC24	(Cable Diagram 1)	GP Series
A2US	A1SJ71C24-R4 A1SJ71UC24-R4		
A2USH-S1	A1SJ71UC24-R4		

■ MELSEC-N Series (Link I/F)

CPU	Link I/F	Cable Diagram	GP
	Computer Link Unit 		
A1N A2N A3N	AJ71C24 AJ71C24-S3 AJ71C24-S6 AJ71C24-S8 AJ71UC24	(Cable Diagram 1)	GP Series
A0J2,A0J2H	A0J2-C214-S1		
A1S	A1SJ71C24-R4		
A1SJ,A2SH,A1SH	A1SJ71UC24-R4		
A2CCPU24	Link I/F on CPU unit		




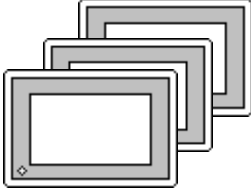
■ MELSEC-FX Series (using Link I/F) *1

CPU	Adapter	Cable Diagram	Target Machine
	Expansion board 		
FX _{2N} ^{*2}	FX _{2N} -485-BD	RS-422	GP/GLC/ST Series
FX _{3UC}	FX _{3U} -485-BD	<Cable Diagram 2>	ST400/ST403

*1 Choose Mitsubishi's MELSEC-FX2(Link) as the GP-PRO/PBIII project file's PLC type.

*2 The PLC's system version should be at least 1.06 or later. Check the PLC's version by reading out the data from the register (D8001). For detailed information refer to the Mitsubishi's FX 2N Series Micro Sequencer manuals.

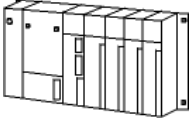


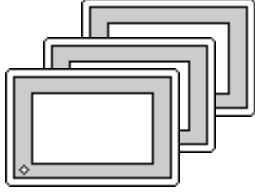
■ MELSEC-QnA Series (using Link I/F)

CPU	Link I/F	Cable Diagram	GP
	Serial Communication Unit / Computer Link Unit 		
Q2A,Q2A-S1,Q4A	AJ71QC24 (serial communication unit) *1 AJ71UC24 (computer link unit) AJ71QC24N-R4	RS-422 (Cable Diagram 1) RS-422 (Cable Diagram 1) for CN-1	GP Series
Q2AS	A1SJ71QC24N(serial communication unit) *2 A1SJ71UC24(computer link unit)	RS-422 (Cable Diagram 1)	
Q2AS-S1	A1SJ71QC24N A1SJ71UC24-R4	RS-422 (Cable Diagram 1)	
	A1SJ71QC24N1	RS-422 (Cable Diagram 3)	
Q4AR	AJ71QC24N	RS-422 (Cable Diagram1)	

*1 ROM : must be higher than 7179B.

*2 ROM : must be higher than 7179M.

■ MELSEC-Q Series

CPU	Link I/F	Cable Diagram	GP
	Serial Communication Unit / Computer Link Unit 		
Q02CPU-A Q02HCPU-A Q06HCPU-A	A1SJ71UC24-R4	RS-422 (Cable Diagram 1)	GP/GLC Series ST400/ST403
Q02CPU Q02HCPU Q06HCPU Q12HCPU Q25HCPU Q00CPU Q01CPU Q00JCPU	QJ71C24 QJ71C24N QJ71C24N-R4	RS-422 (Cable Diagram 1)	GP/GLC Series ST400/ST403

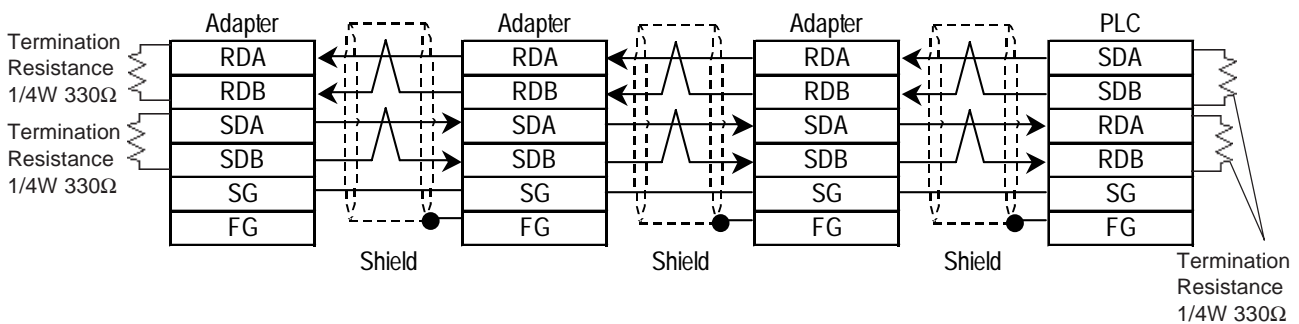
5.1.2 Cable Diagrams

The cable diagrams illustrated below and the cable diagrams recommended by Mitsubishi Electric Corp. may differ, however, using these cables for your PLC operations will not cause any problems.

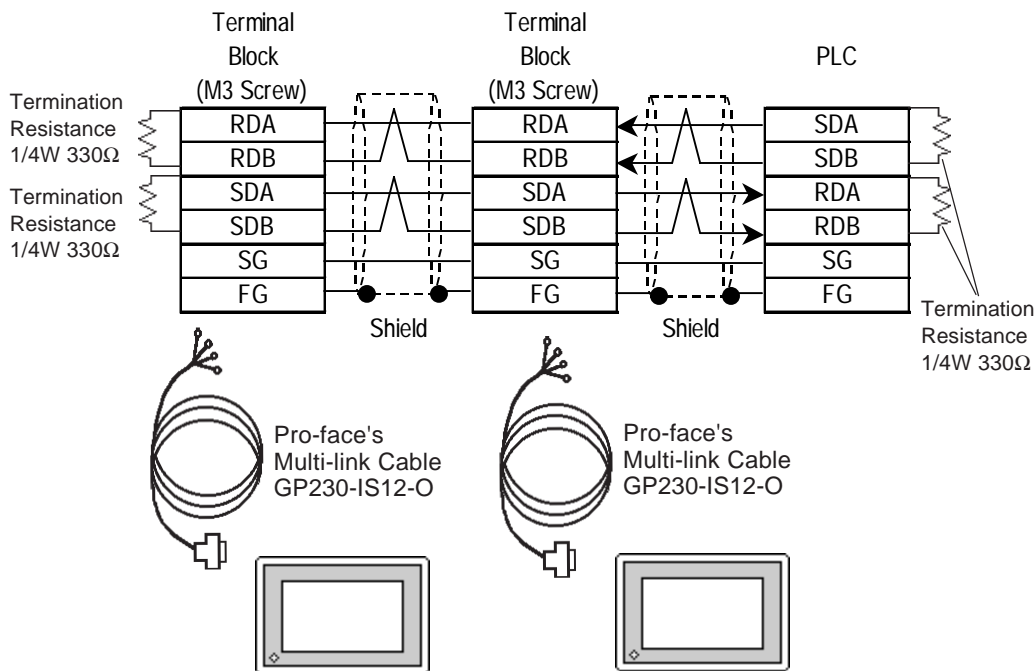
Cable Diagram 1

GP/GLC Series Units

- When using Pro-face's RS-422 connector terminal adapter GP070-CN10-O



- When using Pro-face's Multi-link Cable, GP230-IS12-O

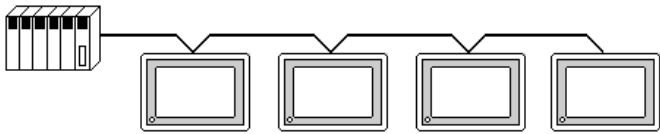




Ground your PLC's FG terminal according to your country's applicable standard. For details, refer to the corresponding PLC manual.

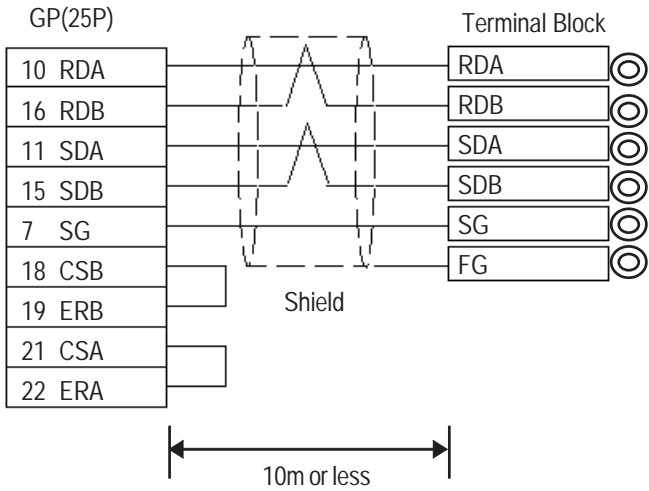


- Pull out the Transfer Cable Shield cover and shape it into a wire and connect it to the PLC's FG terminal.
- GP230-IS12-O Cable FG terminal is not connected to GP's FG.
- If the PLC is equipped with a Termination Resistor switch, turn it ON. If the PLC has no switch, then set up the appropriate termination resistance on the PLC.
- For the RS-422 connection, use a cable length less than 500m.
- As a general rule, connect the PLC at either end of the circuit, not in the middle.

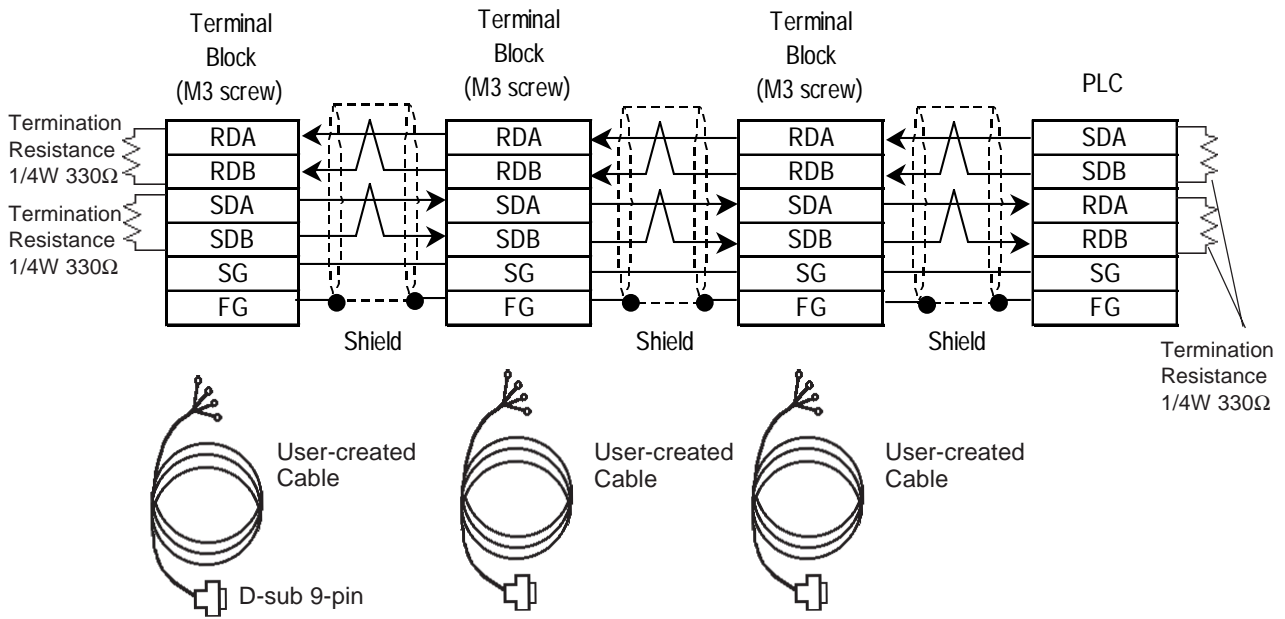


When making your own cable, Mitsubishi's SPEV (SB)-MPC-0.2*3P cable is recommended as the connection cable.

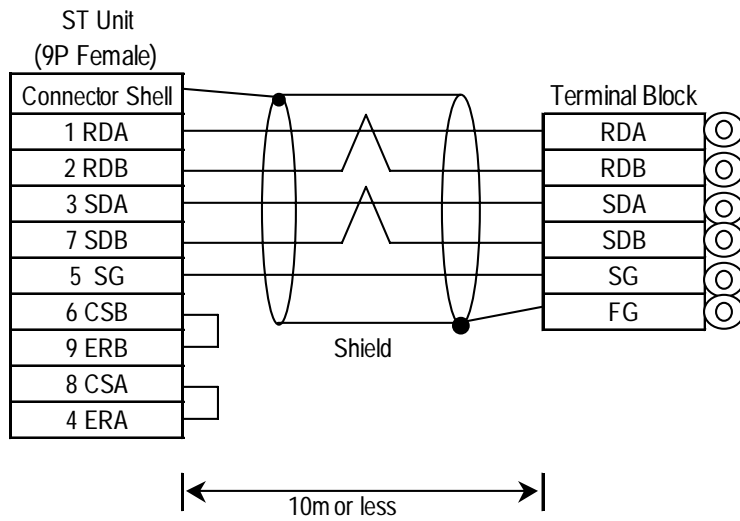
The cable connection lines are as illustrated below and should be less than 10m.



ST400/ST403 Series Units

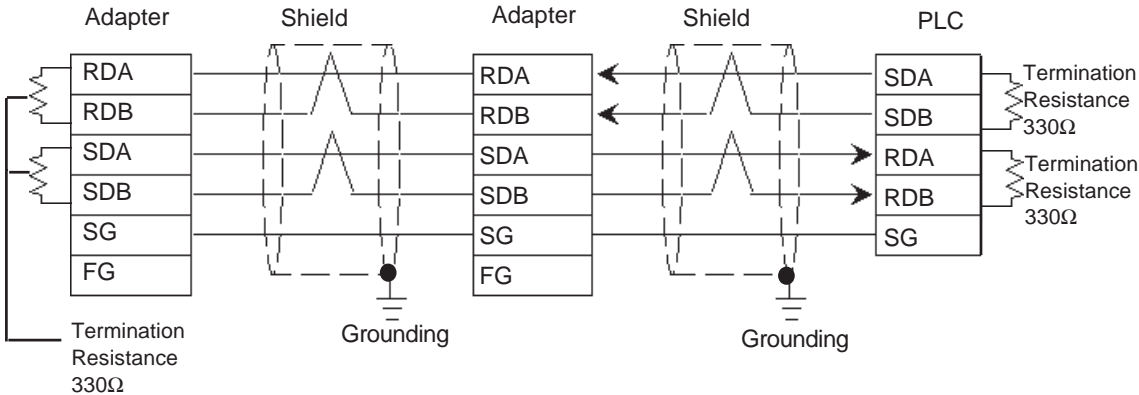


Note: The User-created Cable connection lines are as illustrated below and should be less than 10m.

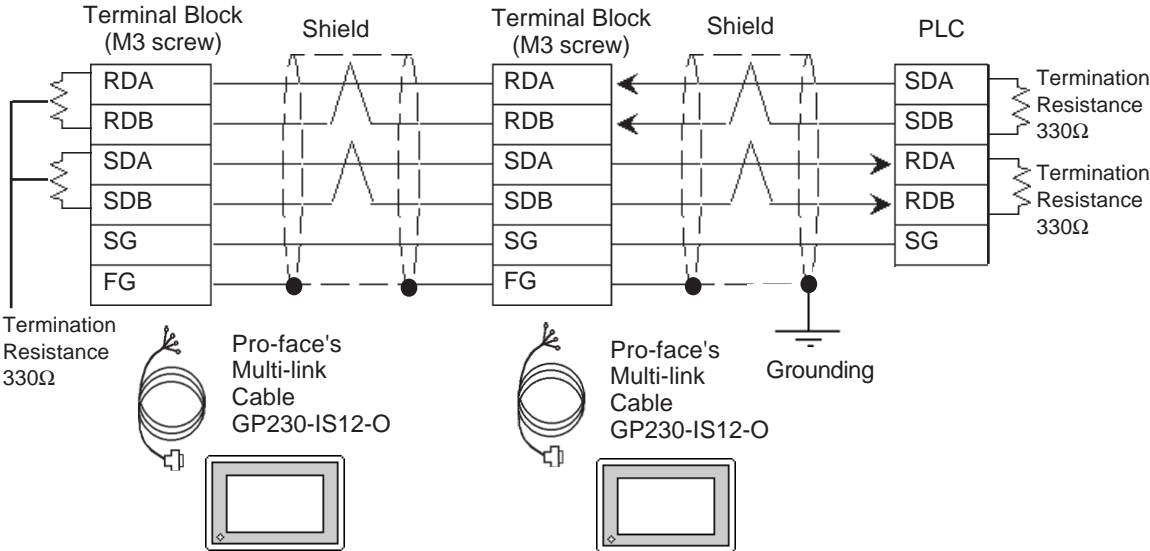


Cable Diagram 2
GP/GLC Series Units

- When using Pro-face's RS-422 connector terminal adapter GP070-CN10-O



- When using Pro-face's GP230-IS12-O(Multi Link Cable)

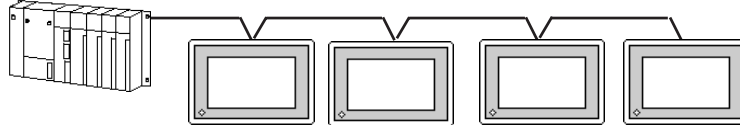




Ground your PLC's FG terminal according to your country's applicable standard. For details refer to your PLC's manual.



- Pull out a small amount of the Transfer Cable's shield, make a wire out of it and connect it to the PLC's FG terminal.
- The GP230-IS12-O cable's FG terminal is not connected to the GP's FG line.
- Connect a terminating resistor to both ends of the cable.
- When using FX2N-485-BD or FX3U-485-BD, be sure the cable is less than 50 m.
- As a general rule, connect the PLC at the end of the circuit's wiring (see below).

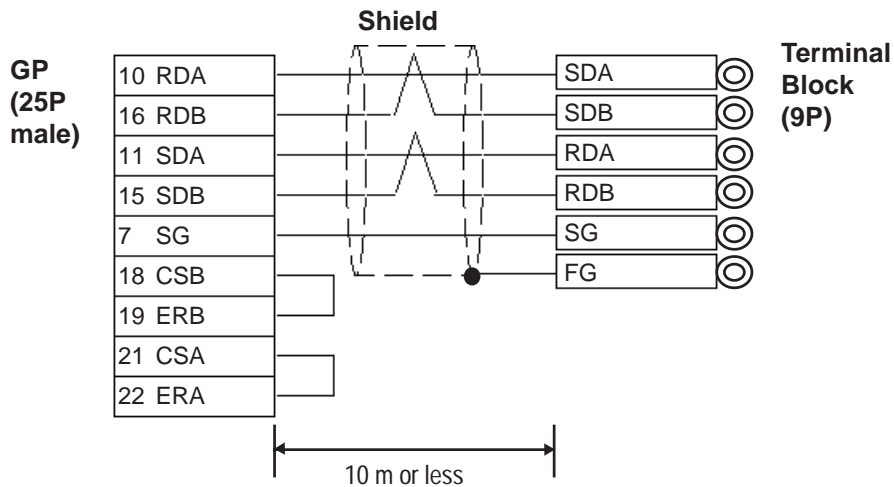


- When using the FX3UC, the unit's termination resistance is built in to the FX3U-485-BD expansion board. When using a 4-wire system, be sure to change the unit's dip switch to 330Ω.

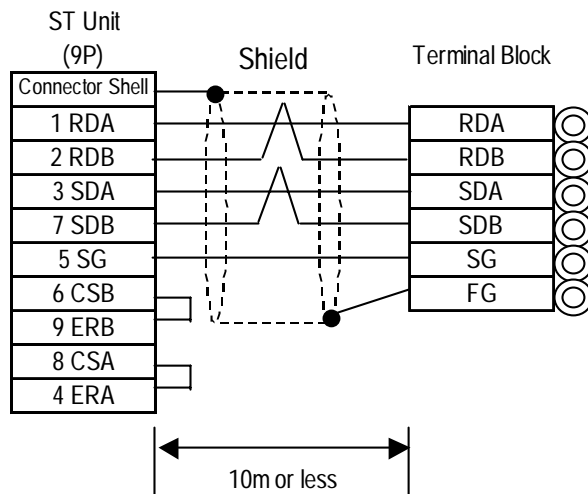


- When processing cable, GP230-IS12-O, the Mitsubishi SPEV (SB)-MPC-0.2x3P is recommended.
- The cable connection lines are as shown below. The cables used between the GP and the terminals should be less than 10m.

GP/GLC Series Units

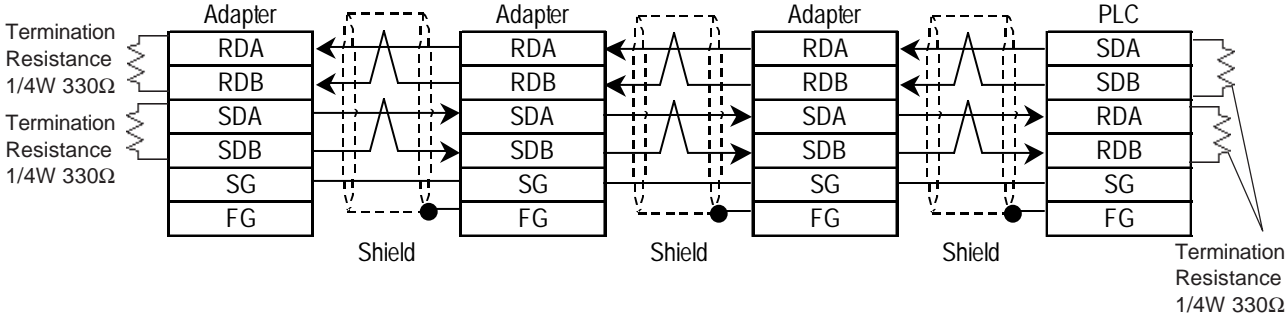


ST400/ST403 Unit

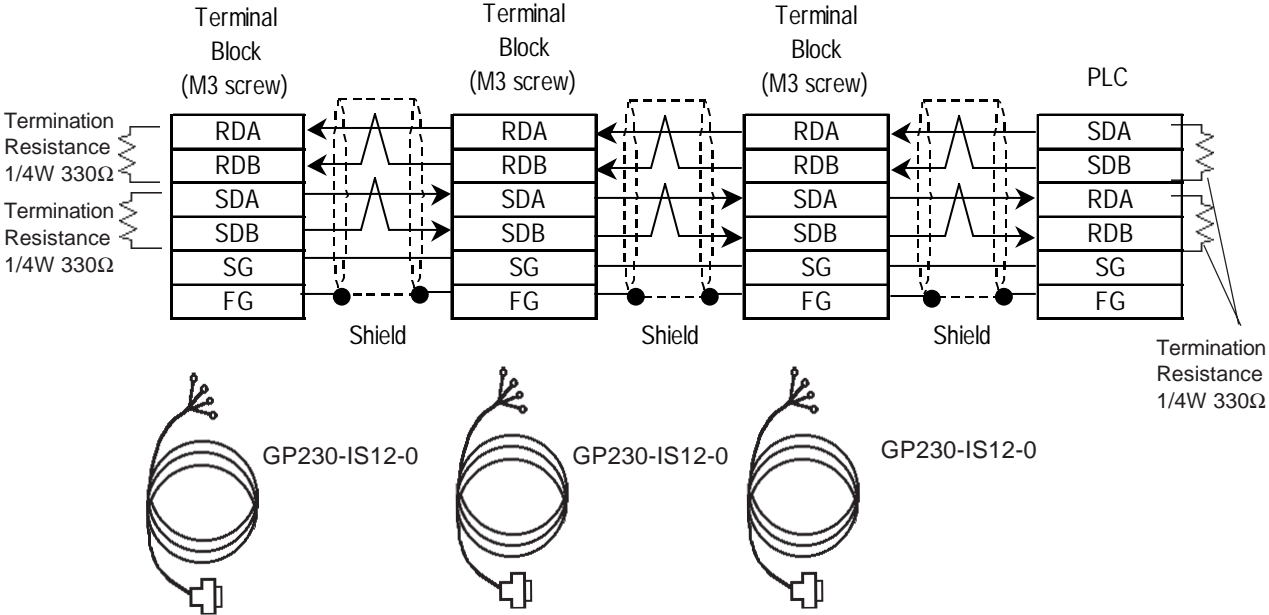


Cable Diagram 3

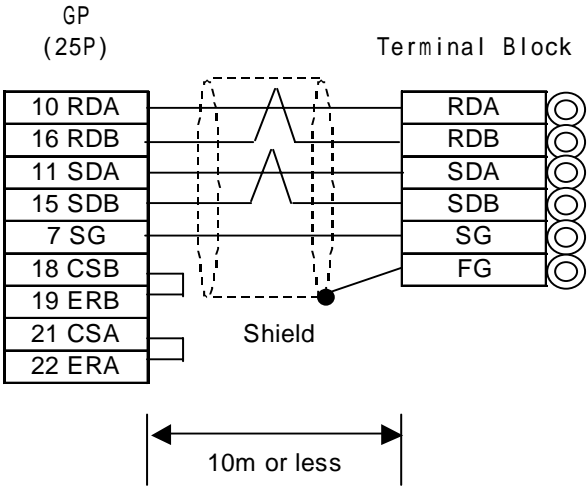
- When using Pro-face's RS-422 connector terminal adapter GP070-CN10-O



- When using Pro-face's GP230-IS12-O(Multi Link Cable)



- When making your own cable



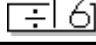
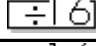
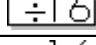
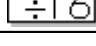
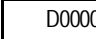

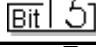
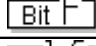



5.1.3 Supported Devices

The following describes the range of devices supported by the GP.

■ MELSEC-A Series (AnA/ AnU/ A2US/ A2USH-S1)

 Setup System Area or Communication Information's Storing Address here.

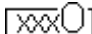

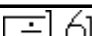
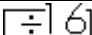
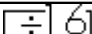
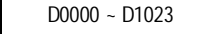
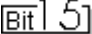
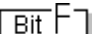
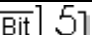
Device	Bit Address	Word Address	Particulars
Input Relay	X0000 ~ X1FFF	X0000 ~ X1FF0	
Output Relay	Y0000 ~ Y1FFF	Y0000 ~ Y1FF0	
Internal Relay	M0000 ~ M8191	M0000 ~ M8176	
Latch Relay	L0000 ~ L8191	L0000 ~ L8176	
Special Relay	M9000 ~ M9255	M9000 ~ M9240	
Annunciator	F0000 ~ F2047	F0000 ~ F2032	
Link Relay	B0000 ~ B1FFF	---	
Timer (contact)	TS0000 ~ TS2047	---	
Timer (coil)	TC0000 ~ TC2047	---	
Counter (contact)	CS0000 ~ CS1023	---	
Counter (coil)	CC0000 ~ CC1023	---	
Timer (current value)	---	TN0000 ~ TN2047	
Counter (current value)	---	CN0000 ~ CN1023	
Data Register	---	 D0000 ~ D8191	
Special Register	---	D9000 ~ D9255	
Link Register	---	W0000 ~ W1FFF	
File Register	---	R0000 ~ R8191	 *1

L/H

* 1 When using the File Register and the AnA or AnU, use the User's memory area in the memory cassettes.
When the File Register is setup when the memory cassette is not in use, an error will develop when communicating.

■ MELSEC-N Series (AnN/ A2C/ A1S/ A1SJ/A2SH)

 Setup System Area or Communication Information's Storing Address here.

Device	Bit Address	Word Address	Particulars
Input Relay	X0000 ~ X07FF	X0000 ~ X07F0	
Output Relay	Y0000 ~ Y07FF	Y0000 ~ Y07F0	 *1
Internal Relay	M0000 ~ M2047	M0000 ~ M2032	
Latch Relay	L0000 ~ L2047	---	
Special Relay	M9000 ~ M9255	M9000 ~ M9240	 *2
Annunciator	F0000 ~ F255	F000 ~ F240	
Link Relay	B0000 ~ B03FF	---	
Timer (contact)	TS000 ~ TS255	---	
Timer (coil)	TC000 ~ TC255	---	
Counter (contact)	CS000 ~ CS255	---	
Counter (coil)	CC000 ~ CC255	---	
Timer (current value)	---	TN000 ~ TN255	
Counter (current value)	---	CN000 ~ CN255	
Data Register	---	 D0000 ~ D1023	
Link Register	---	W0000 ~ W03FF	
File Register	---	R0000 ~ R8191	 *3

L/H

* 1 The Output Relays Y01F0-Y01FF (word Y01F0) are used by the PLC, and cannot be set.. (only for A2C)






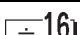

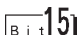
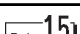

* 2 A MELSEC-AnN and AJ71C24-S3 (or AJ71C24) cannot be matched and used.

* 3 When using the File Register and the AnN, use the User's memory area in the memory cassettes.

When the File Register is setup when the memory cassette is not in use, an error will develop when communicating.

■ MELSEC-FX Series

 Setup System Area here.

Device	Bit Address	Word Address	Remarks	
Input Relay	X0000 - X0377	X0000 - X0360	 	L/H
Output Relay	Y0000 - Y0377	Y0000 - Y0360	 	
Auxiliary Relay	M0000 - M7679	M0000 - M7664		
State	S0000 - S4095	S0000 - S4080		
Special Auxiliary relay	M8000 - M8511	M8000 - M8496	 *1	
Timer (contact)	TS000 - TS511	———		
Counter (contact)	CS000 - CS255	———		
Timer (current)	———	TN000 - TN511		
Counter (current)	———	CN000 - CN255	*2	
Data Register	———	D0000 - D7999	 *3	
Special Data Register	———	D8000 - D8511	 *1 *3	
Extended Register	———	R00000 - R32767	 *4	

*1 The Special Auxiliary Relay and the Special Data Register are divided into three areas. These are the Exclusive Reading Area, the Exclusive Writing Area and the System Area. For details, refer to your PLC's manual.

*2 Word addresses CN200 to CN255 are 32 bit counters.

*3 When designating data register addresses, be sure that they do not overlap with the special register area.

For example, do not perform a write of two or more words, starting from "D7999".





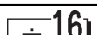
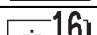


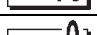
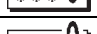
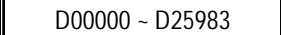






When a write of two or more words is done starting from "D7999", a "Host Communication" error (02:FA) occurs.

*4 With only FX3UC units.

*5 Address ranges will vary depending on the CPU model used.

■ MELSEC-QnA Series

 Setup System Area or Communication Information's Storing Address here.

Device	Bit Address	Word Address	Particulars	
Input Relay	X0000 ~ X1FFF	X0000 ~ X1FF0		L/H
Output Relay	Y0000 ~ Y1FFF	Y0000 ~ Y1FF0		
Internal Relay	M00000 ~ M32767	M00000 ~ M32752		
Special Relay	SM0000 ~ SM2047	SM0000 ~ SM2032		
Latch Relay	L00000 ~ L32767	L00000 ~ L32752		
Annunciator	F00000 ~ F32767	F00000 ~ F32752		
Edge Relay	V00000 ~ V32767	V00000 ~ V32752		
Step Relay	S0000 ~ S8191	S0000 ~ S8176		
Link Relay	B0000 ~ B7FFF	B0000 ~ B7FF0		
Special Relay	SB000 ~ SB7FF	SB000 ~ SB7F0		
Timer (contact)	TS00000 ~ TS23087	-----		
Timer (coil)	TC00000 ~ TC23087	-----		
Aggregation Timer (contact)	SS00000 ~ SS23087	-----		
Aggregation Timer (coil)	SC00000 ~ SC23087	-----		
Counter (contact)	CS00000 ~ CS23087	-----		
Counter (coil)	CC00000 ~ CC23087	-----		
Timer (current value)	-----	TN00000 ~ TN23087		
Aggregation Timer (current value)	-----	SN00000 ~ SN23087		
Counter (current value)	-----	CN00000 ~ CN23087		
Data Register	-----			
Special Register	-----	SD0000 ~ SD2047		
Link Register	-----	W0000 ~ W657F		
Special Link Register	-----	SW000 ~ SW7FF		
File Register (nomal)	-----	R00000 ~ R32767	 *1	
File Register (serial)	-----	0R0000 ~ 0R7FFF 1R0000 ~ 1R7FFF	 *1	



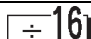
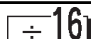
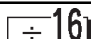


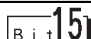
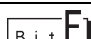

* 1 When using the File Register, a Memory Card is necessary. Depending on the Memory Card being used, the File Register's device range differs.



- The device ranges given here are based on the maximum values possible for parameter settings. Depending on your CPU, usable device types and range may differ. Before using, refer to your CPU user manual.


■ MELSEC-Q Series (A Mode CPU)




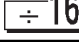

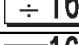
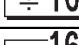
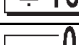
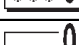






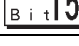



 Setup System Area or Communication Information's Storing Address here.

Device	Bit Address	Word Address	Particulars	
Input Relay	X0000 ~ X1FFF	X0000 ~ X1FFF0		L/H
Output Relay	Y0000 ~ Y1FFF	Y0000 ~ Y1FFF0		
Internal Relay	M0000 ~ M8191	M0000 ~ M8176		
Latch Relay	L0000 ~ L8191	L0000 ~ L8176		
Special Relay	M9000 ~ M9255	M9000 ~ M9240		
Annunciator	F0000 ~ F2047	F0000 ~ F2032		
Link Relay	B0000 ~ B1FFF	———		
Timer (Contact)	TS0000 ~ TS2047	———		
Timer (Coil)	TC0000 ~ TC2047	———		
Counter (Contact)	CS0000 ~ CS1023	———		
Counter (Coil)	CC0000 ~ CC1023	———		
Timer (Current Value)	———	TN0000 ~ TN2047		
Counter (Current Value)	———	CN0000 ~ CN1023		
Data Register	———	D0000 ~ D8191		
Special Register	———	D9000 ~ D9255		
Link Register	———	W0000 ~ W1FFF		
File Register	———	R0000 ~ R8191	 *1	

* 1 The amount of space available when using the File Register will vary, depending on the amount of CPU ROM/RAM available, or the amount of memory available on the memory card.

■ MELSEC-Q Series (Q Mode CPU)

 Setup System Area or Communication Information's Storing Address here

Device	Bit Address	Word Address	Particulars	
Input Relay	X0000 ~ X1FFF	X0000 ~ X1FF0		L/H
Output Relay	Y0000 ~ Y1FFF	Y0000 ~ Y1FF0		
Internal Relay	M00000 ~ M32767	M00000 ~ M32752		
Special Relay	SM0000 ~ SM2047	SM0000 ~ SM2032		
Latch Relay	L00000 ~ L32767	L00000 ~ L32752		
Annunciator	F00000 ~ F32767	F00000 ~ F32752		
Edge Relay	V00000 ~ V32767	V00000 ~ V32752		
Step Relay	S0000 ~ S8191	S0000 ~ S8176		
Link Relay	B0000 ~ B7FFF	B0000 ~ B7FF0		
Special Relay	SB000 ~ SB7FF	SB000 ~ SB7F0		
Timer (contact)	TS00000 ~ TS23087	-----		
Timer (coil)	TC00000 ~ TC23087	-----		
Aggregation Timer (contact)	SS00000 ~ SS23087	-----		
Aggregation Timer (coil)	SC00000 ~ SC23087	-----		
Counter (contact)	CS00000 ~ CS23087	-----		
Counter (coil)	CC00000 ~ CC23087	-----		
Timer (current value)	-----	TN00000 ~ TN23087		
Aggregation Timer (current value)	-----	SN00000 ~ SN23087		
Counter (current value)	-----	CN00000 ~ CN23087		
Data Register	-----	 D00000 ~ D25983		
Special Register	-----	SD0000 ~ SD2047		
Link Register	-----	W0000 ~ W657F		
Special Link Register	-----	SW000 ~ SW7FF		
File Register (normal)	-----	R00000 ~ R32767	 *1	
File Register (serial)	-----	0R0000 ~ 0R7FFF	 *1	
	-----	1R0000 ~ 1R7FFF	 *1	
	⋮	⋮	⋮	
	-----	31R0000 ~ 31R67FF	 *1	

* 1 The amount of space available when using the File Register will vary, depending on the amount of CPU ROM/RAM available, or the amount of memory available on the memory card.



• The device ranges given here are based on the maximum values possible for parameter settings. Depending on your CPU, usable device types and range may differ. Before using, refer to your CPU user manual.

5.1.4 Environment Setup

The following lists Digital's recommended PLC and GP communication settings.

■ MELSEC-A Series (When using Computer Link I/F)

GP Setup		PLC (Data Register) Setup	
Baud Rate	19200 bps	Baud Rate	19200
Data Length	7 bit	Data Length	7 bit
Stop Bit	2 bit	Stop Bit	2 bit
Parity Bit	Even	Parity Check Parity setting even/odd	Yes Even
Data Flow Control	ER Control	-----	
Communication Format	4-wire type	Channel setup	RS-422
		Mode Setup	8 (Format 4 protocol)
-----		Write during RUN	Yes
-----		Sumcheck	Yes
-----		Transmission area terminal resistance	Present
-----		Receiving area terminal resistance	Present
Unit No.	0	Station No.	0

■ MELSEC-FX Series (FX_{2N})

GP Setup		PLC (Data Register) Setup	
Baud Rate	19200 bps	Baud Rate	19200
Data Length	7	Data Length	7
Stop Bit	2	Stop Bit	2
Parity Bit	Even	Parity Bit	Even
Data Flow Control	ER Control	-----	
Communication Format	4-wire type	H/W Type	RS485(RS422) I/F
Station No.	0	Station No.	0
-----		Use Comm. Settings	Yes
-----		Sumcheck	Yes
-----		Protocol	Yes
-----		Mode	Format 4 protocol
-----		Header	No
-----		Terminator	No



- PLC's Station NO. data must be written in data register D8121 and other settings must be written in data register D8120. For details refer to Mitsubishi's "FX Communication Users Manual".

■ MELSEC-FX Series (FX_{3UC})

GP Settings		PLC (Data Register) Settings	
Baud Rate	19200 bps	Baud Rate	19200
Data Length	7	Data Length	7
Stop Bit	2	Stop Bit	2
Parity Bit	Even	Parity Bit	Even
Data Flow Control	ER Control	—————	ER Control
Communication Format	4-wire type	Computer Link	RS485(RS422) I/F ^{*1}
Station No.	0	Station No. ^{*2}	00h
—————		CH	CH1
—————		Protocol	Yes
—————		Mode	Format 4 protocol
—————		Sumcheck	Added
—————		Comm. Settings	Use checking
—————		Header	No
—————		Terminator	No

**1 The termination resistance will vary depending on if a 4-wire or a 2-wire connection is used. Termination resistance is built into the FX3U-485-BD expansion board.*

When using a 4-wire line, use the dip switch to change the setting to 300Ω.

**2 Even though PLC station numbers are set using 00h to 0Fh, the GP Series units use only 0 to 15.*



Note: It is possible to enter PLC settings via the ladder software's PC system settings or to write data directly to data registers D8120 and D8121. For details, refer to Mitsubishi's "FX Communication User Manual".

■ MELSEC-QnA Series

GP Setup		PLC (Data Register) Setup	
Baud Rate	19200 bps *1	Baud Rate	19200
Data Length	7 bit	Data Length	7 bit
Stop Bit	2 bit	Stop Bit	2 bit
Parity Bit	Even	Parity Check	Yes
		Parity setting even/odd	Even
Data Flow Control	ER Control		-----
Communication Format	4-wire type	Mode Setup	4 (Format 4 protocol)
	-----	Sumcheck	Yes
	-----	Transmission area terminal resistance	Present
	-----	Receiving area terminal resistance	Present
Unit No.	0	Station No.	0

*1 AJ71QC24N-R4, A1SJ71QC24N, AJ71QC24N can use a baud rate of 115.2kbps.



- **CH1 and CH2 of a serial communication unit can communicate at the same time, given any of the following conditions.**
- **Refer to the MELSEC A Series table when using environment with MELSEC QnA and Computer Link I/F AJ71UC24 together.**

Condition 1 : The sticker on the top of the communication unit indicates the version is AB or later.

Condition 2 : The date shown on the side of the communication unit indicates it was produced in September 1996 (9609) or later.

Condition 3 : The communication ROM version is 7179M or later.

■ MELSEC-QnA Series(using Serial Communication Unit A1SJ71QC24N1)

GP Setup		Serial Communication Unit Settings *1	
Baud Rate	19200 bps	Baud Rate	19200 bps
Data Length	7 bits	Data Length	7 bits
Stop Bit	2 bits	Stop Bit	2 bits
Parity Bit	Even	Parity bit Even/Odd parity	Even
Control system	ER Control		---
Communication method (RS-232C is used.)	RS-232C		---
Communication method (RS-422 is used.)	4-wire type		---
	---	Sum check code	Enabled
Unit No.	0	Node number	0
	---	Setting change	Permit
	---	Writing during RUN	Permit
	---	Operation setting	Independent
	---	Communication protocol setting	MC protocol (form 4)

*1 The setting is made by Mitsubishi's GPP function software.

■ MELSEC-Q Series (using A Mode CPU Computer Link Unit)

GP Setup		Computer Link Unit Settings	
Baud Rate	19200 bps (fixed)	Baud Rate	19200 bps
Data Length	7 bits (fixed)	Data Length	7 bits
Stop Bit	2 bits (fixed)	Stop Bit	2 bits
Parity Bit	Even	Parity Check Parity setting even/odd	Yes Even
Data Flow Control	ER Control	-----	
Communication Format (RS-422)	4-wire type	Mode Setup (RS-422)	8 (Format 4 Protocol Mode)
-----		Write possible in RUN mode	Possible
-----		Sumcheck	Yes
Unit No.	0 (fixed)	Station No.	0

■ MELSEC-Q Series (Q Mode CPU Serial Communication Unit)

GP Setup		Serial Communication Unit Settings *1	
Baud Rate	19200 bps	Baud Rate	19200 bps
Data Length	7 bits	Data Length	7 bits
Stop Bit	2 bits	Stop Bit	2 bits
Parity Bit	Even	Parity Check Parity setting even/odd	Yes Even
Data Flow Control	ER Control	-----	
Communication Format (RS-422)	4-wire type	Mode Setup (RS-422)	4 (Format 4 Protocol Mode)
-----		Sumcheck	Yes
Unit No.	0	Station No.	0

*1 The setting is made by Mitsubishi's GPP function software.